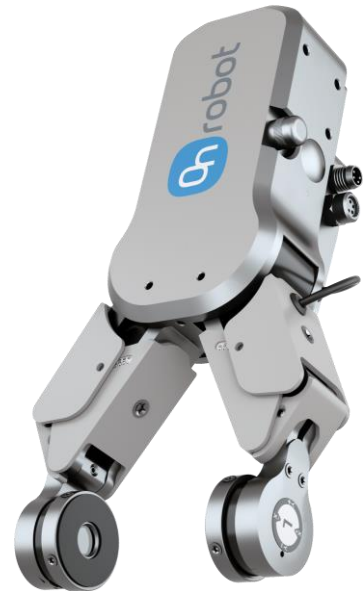


**KEY FEATURES**

- ✓ Gripper with F/T sensors at the fingertips
- ✓ Integrated proximity sensor for part detection and centering
- ✓ Precise and simple depth compensation
- ✓ Integrated force-controlled part insertion software
- ✓ Force/Torque sensor for enabling precise machine tending, assembly jobs and collaborative operations
- ✓ Dust and water protection level is IP54


**TECHNICAL SPECIFICATIONS**

<b>RG2-FT general properties</b>	<b>Min</b>	<b>Typical</b>	<b>Max</b>	<b>Units</b>
Total stroke (adjustable)	0	-	100	[mm]
Finger position resolution	-	0.1	-	[mm]
Gripping force (adjustable)	3	-	40	[N]
Reversing backlash	0.2	0.4	0.6	[mm]
Ambient operating temperature	5	-	50	[°C]
Product weight	-	0.77	-	[Kg]
Power consumption	6.5	-	22	[W]
Ingress protection <sup>1</sup>	-	-	IP54	-

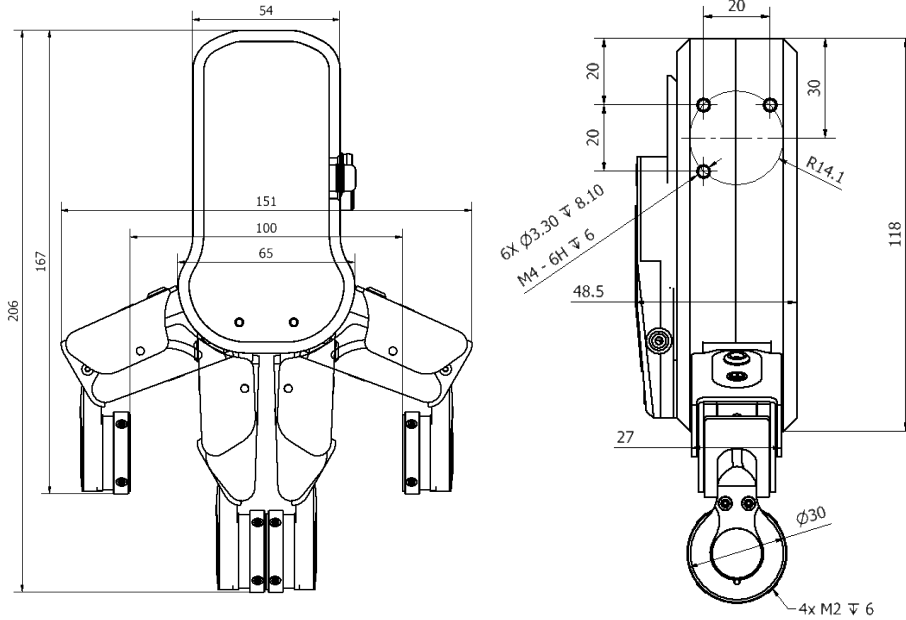
<b>Force sensor properties</b>	<b>Fxy</b>	<b>Fz</b>	<b>Txy</b>	<b>Tz</b>
Nominal capacity (N.C.)	20 N	40 N	0.7 Nm	0.5 Nm
Noise free resolution	0.1 N	0.5 N	0.008 Nm	0.005 Nm
Single axis deformation at N.C.	0.4 mm	0.1 mm	2°	5°

<b>Proximity measurement properties</b>	<b>Min</b>	<b>Typical</b>	<b>Max</b>	<b>Units</b>
Sensing range	0	-	100	[mm]
Resolution	-	1	-	[mm]
Accuracy*	-	10	-	[mm]

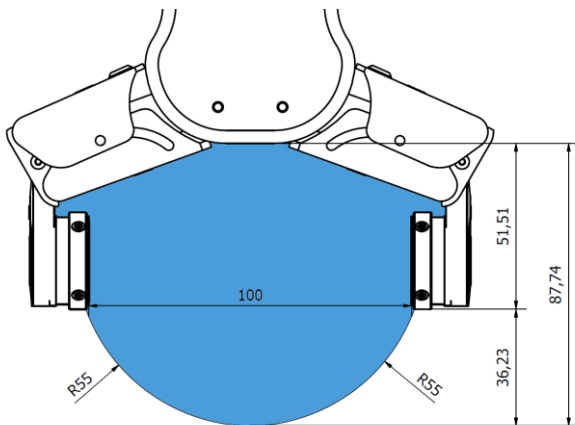
\* The accuracy depends on the object properties (e.g. surface type, color and part size) - see accuracy figure

<sup>1</sup> It needs protection when working in corrosive liquid environments

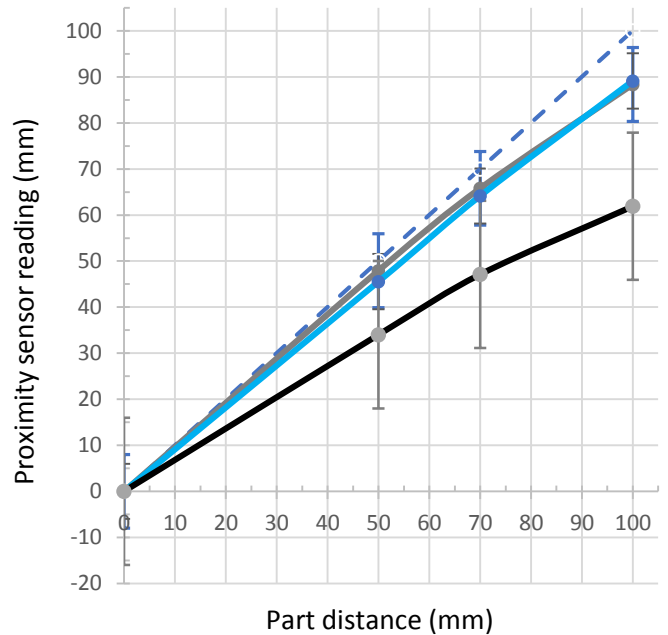
## MECHANICAL DIMENSIONS



## GRIPPER WORKING RANGE



## PROXIMITY SENSOR TYPICAL ACCURACY



The dimensions are in millimeters.

- - - Ideal Response    —●— White colour  
—●— Aluminium    —●— Black colour